



**RENTAL PACKAGE
30/40 Ton**

Cat® air conditioning units are self-contained and provide conditioned air for outdoor rental applications. Units are sound attenuated and are equipped with screw-type compressors which allow for cold starting—no preheat required. Units feature rental friendly controls to meet the needs of the non-technical operator. Units designed in accordance with industry guidelines and third party safety and quality standards.

TECHNICAL SPECIFICATIONS

Model.....Stealth 30
 Dimensions – ft
 Length.....8'0"
 Width.....5'5"
 Height.....8'0"

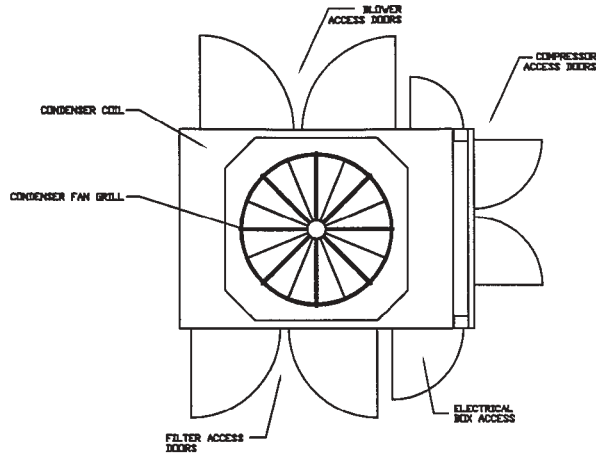
Total shipping weight (approx lbs).....4,900 lbs
 Duct connections (8) – in.....19
 Filter – reusable.....2" (30% efficient) 20x20 (6)
 Single point power supply.....460 volt, 3 phase,
 60 HZ with ground

TECHNICAL DATA

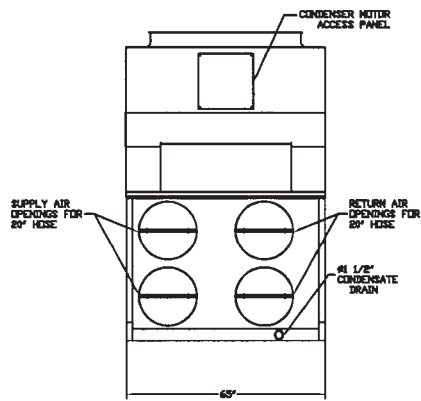
Electrical Data Total full load amps or running load amps		460 volt, 3 phase, 60 HZ with ground 96.3
System Control Remote Temperature Control Discharge air temperature control Return air temperature control		Standard Standard Standard
Fan Data Design air flow/maximum air flow Design total static pressure Fan type Fan control Motor power/speed	cfm in wg hp/rpm	10,000 3.25 Centrifugal VFD 10/862-1725
Cooling Data Design capacity Design conditions: Entering air temp (dry bulb/wet bulb) Leaving air temp (dry bulb/wet bulb) Coil construction Rows Fins per inch Low ambient control	tons °F °F	30 (2 Stage) 90/70 63.5/59.6 Copper Tube/Aluminum fins 3 10 VFD
Heating Data Type Capacity Heating	kW MBH	Electric 130 444
Compressor Data Type		Scroll



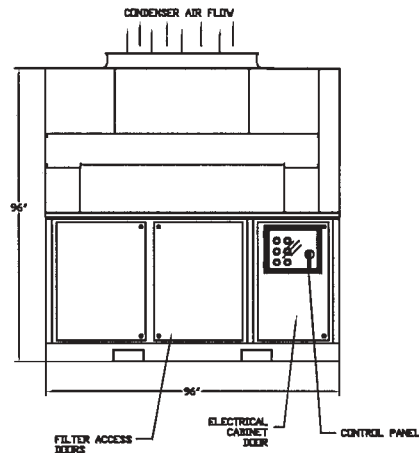
DIMENSIONS



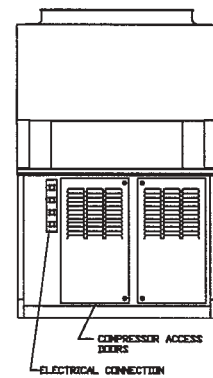
PLAN VIEW



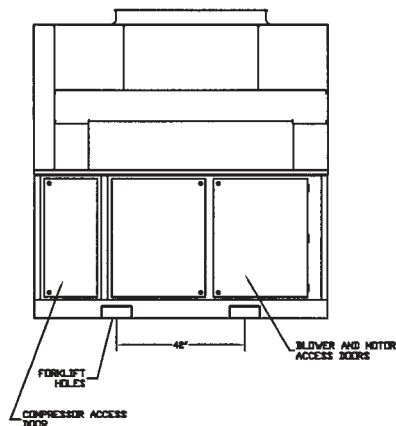
END VIEW "PLENUM END"



ELEVATION VIEW "CONTROL SIDE"



END VIEW "COMPRESSOR END"



ELEVATION VIEW "BLOWER SIDE"

Consult your Caterpillar representative for more details.

www.CAT-ElectricPower.com
 ©2003 Caterpillar
 All rights reserved.
 Printed in U.S.A.

