



## RENTAL MODULE

### 10 Ton

Cat®/York® air conditioning units are self-contained and provide conditioned air for outdoor rental applications. Each unit includes: York air conditioning unit (scroll compressor), with a weather-resistant control center and a heating element, mounted on a formed steel base frame that includes heavy-duty safety wire grating condenser protection. This unit is reinforced with an industrial rugged rental-ready framing for increased durability and strength. Units designed in accordance with industry guidelines and third party safety and quality standards.

### TECHNICAL SPECIFICATIONS

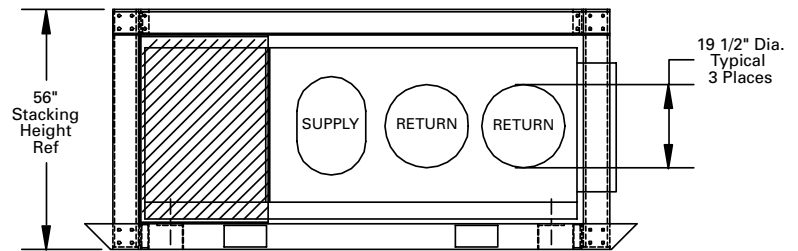
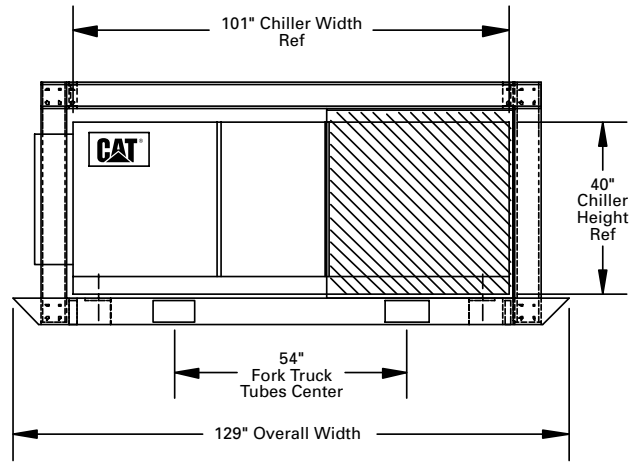
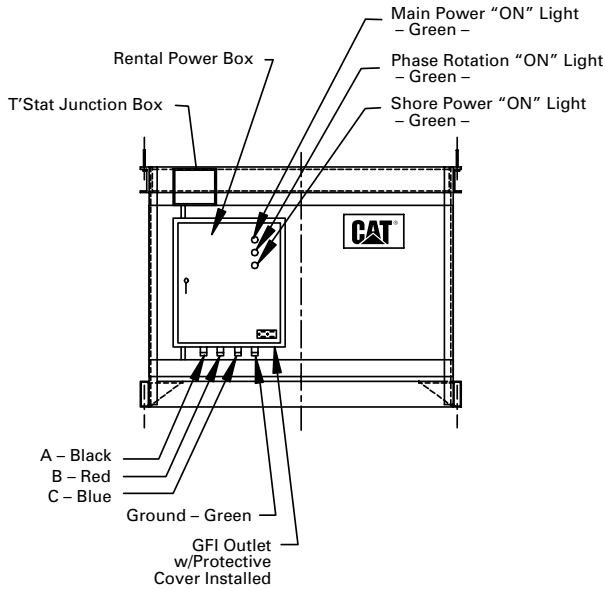
Model .....	DX10
Dimensions — ft (m)	
Length .....	10' 9" (3.28)
Width .....	6' 3" (1.91)
Height .....	4' 8" (1.42)

Total shipping weight — lb (kg) .....	1,500 (680)
Duct connections (3) — in (mm) .....	19.5 (495.3)
Filters .....	2" (30% efficient)
Single point power supply .....	460 volt, 3-phase, 60 hertz with ground

### TECHNICAL DATA

		460 Volt/3-Phase/60 Hz with Ground
<b>Electrical Data</b>		
Total full load amps or running load amps		
Cooling only	amps	24
Heating only	amps	71
<b>System Control</b>		
Electromechanical system control		Standard
Fan control		Constant Volume
Space temperature control		Standard
Discharge air temperature control		Standard
<b>Fan Data</b>		
Design air flow	cfm (m <sup>3</sup> /min)	4,000 (113.27)
Design total static pressure	in (mm)	1.5 (38.1)
Fan type		Plenum
Fan control		Constant Volume
Motor power/speed	hp/rpm	2/950
<b>Cooling Data</b>		
Design capacity	tons	10
Design conditions:		
Entering air temperature (dry bulb/wet bulb)	°F (°C)	80.0/67.0 (26.6/19.4)
Leaving air temperature (dry bulb/wet bulb)	°F (°C)	55.7/54.0 (13.2/12.2)
Coil construction		Copper Tube/Aluminum Tube
Rows		4
Fins per inch		15
<b>Heating Data</b>		
Type		Electric
Capacity	kW	54
Heating	MBH	184.3

## DIMENSIONS



Consult your Caterpillar representative for more details.

[www.CAT-ElectricPower.com](http://www.CAT-ElectricPower.com)

©2001 Caterpillar  
 All rights reserved.  
 Printed in U.S.A.